



# EBTZ-42418-8ERR/DACJY-1T

## SPECIFICATIONS

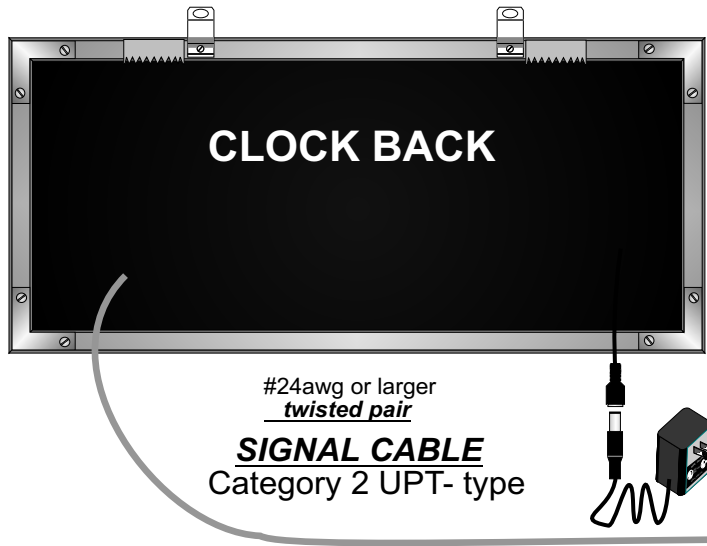
DIGIT SIZE	NUMBER OF ZONES	ELECTRONIC LETTERING	TIME COLOR	LOCATION COLOR	CALENDAR DISPLAY	COLOR	ONE CALENDAR JULIAN ON TOP
------------	-----------------	----------------------	------------	----------------	------------------	-------	----------------------------

- TYPE:** ----- DIGITAL and 15 Character **ALPHANUMERIC** Red, Yellow, Green or Blue
- DISPLAY:** ----- 4-DIGIT, 7 seg. **TIME** in Red and a Alphanumeric 5x7 Dot-Matrix display
- CHARACTER HEIGHT:** ----- 1.8" (45.72 mm) HR / MIN .7" (17.78mm) 15 Character location display
- VISIBILITY:** ----- 40 Ft. (12.19 METERS)
- POWER REQUIREMENTS:** -- 100-240V 50~60Hz (12vdc Switching Power Supply).
- FRAME:** ----- ALUMINUM (BLACK ANODIZED FINISH)
- DIMENSIONS:** ----- 10.25" x 84.25" x 1.35"
- WEIGHT:** ----- 16.8 lbs.
- OPERATING TEMP.:** ----- -17° TO 190° F
- HUMIDITY:** ----- 0% TO 95% NON-CONDENSING
- OPERATING MODE:** ----- 27 DAY LIGHT SAVINGS, 31 TIME ZONES, 10yr BACKUP WITH 1sec a YEAR ACCURACY, NON-GLARE LENS, EYELET AND SAW TOOTH SURFACE MOUNT, PC INTERFACE WITH DDS TimeNet SOFTWARE.

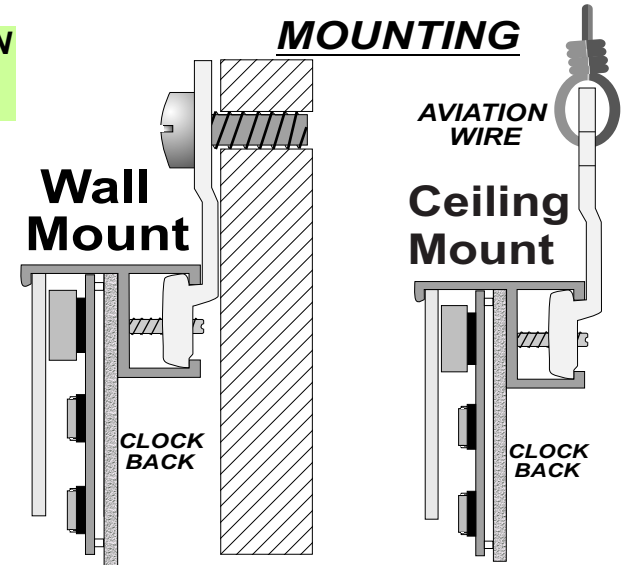
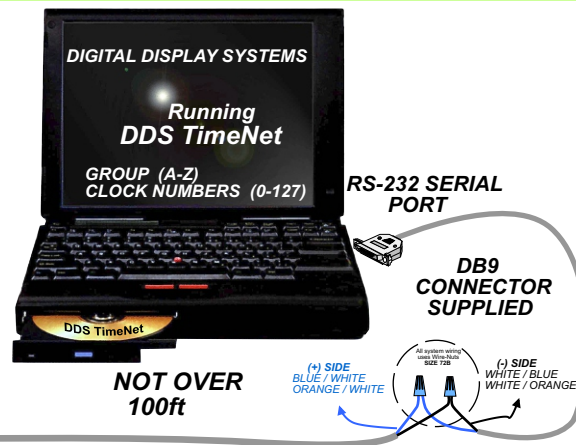
ALL CLOCKS USE THE DALLAS DS32 SERIES RTC PARTS, AND OUR FIRMWARE CONTROL, TO GET THE ONE SEC A YEAR ACCURACY. **1 SEC A YEAR ACCURATE (TCXO)**

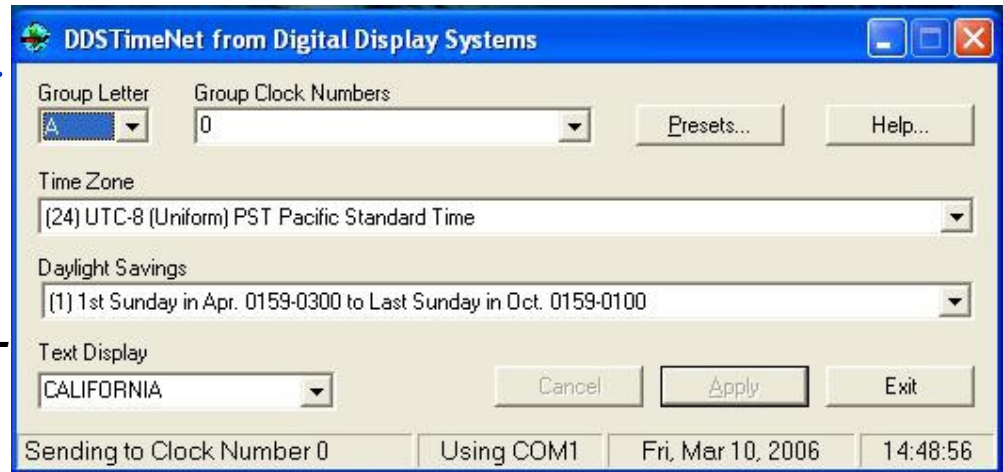


World's Most Accurate RTC



THE PC IS USED TO SET THE LOCATION DISPLAY AND TIME. THE CLOCK CAN RUN ON ITS OWN WITHOUT THE PC.

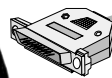




**RS-232 SERIAL PORT**

**DB9 CONNECTOR SUPPLIED**

**RS-232 NOT OVER 100ft**

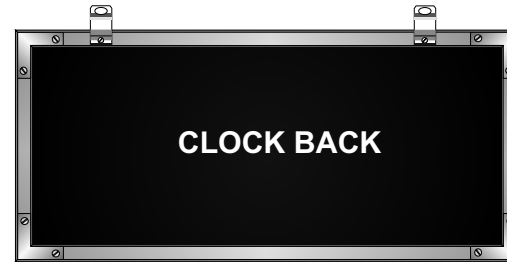


(+) SIDE  
BLUE / WHITE  
ORANGE / WHITE

For all system wiring  
uses Wire-Nuts  
SIZE 72B

(-) SIDE  
WHITE / BLUE  
WHITE / ORANGE

**EYELET MOUNTING**



**WHEN ON THE PC THE PC TIME IS UPDATING THE CLOCKS, WHEN OFF THE PC THE TCXO IS UPDATING THE CLOCKS. THE LEFT MOST CLOCKS COLONS ARE STEADY, ON THE PC AND FLASHING WHEN ON THE TCXO.**

**GROUP CLOCK NUMBERS**

